

Clearlight LED Replacement Lamp: Narrow



Narrow

Description

The Clearlight family of LED replacement lamps is used in mogul base, dusk-till-dawn, outdoor fixtures. Lamps are approved for use in fixtures using 50-175W MV, or 70-150W HPS bulbs. Because Clearlights are direct screw-in replacement lamps, owners of dusk-till-dawn fixtures are able to take advantage of the improvements in energy efficiency, night-time visibility, and color quality related to using LED technology without discarding existing assets.

Construction

- Die cast aluminium upper and lower heatsink housing. Housing is powder coated.
- High efficiency diffuse reflector and acrylic optics.
- Contains 16 white CREE LEDs.
- Silicone encapsulated integral driver in weather tight compartment.
- Durable and shatterproof.
- Mercury Free. PCBs and solder are lead free. Emits no UV.
- Dark sky compliant.

Electrical Performance

- Input Voltage = 120VAC/ 240VAC, 60Hz.
- Power factor >0.9.
- Integral high efficiency LED Driver.
- Class C lightning strike protection for long life in harsh electrical environments.
- Suitable for outdoor use in ambient air temperatures -40C to 45C. No warm up time is required; on/off is instant without reducing the service life of the lamp.

Thermal Management

Lamp uses active cooling with no frictional parts to rub or wear out. LED life is assured by patent pending protection circuitry that controls current levels to the LEDs based on temperature. Temperature is measured at the LED package, often referred to as the solder point temp, or T_{SP} . At 65°C the fixture begins to cut back on the current to the LEDs to either maintain, or reduce the temperature back down to 65°C. Thermal management is the key to the Clearlight's long life and 70,000 hour L70, easily 3x that of legacy MV or HPS.

Compatibility

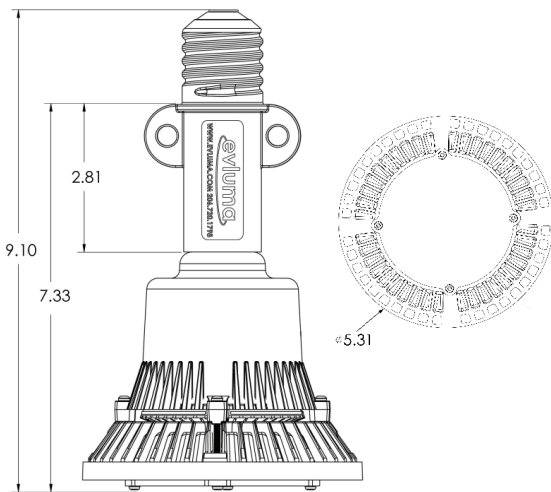
Compatible with 50-175W MV or 70-150W HPS mogul base, dusk-till-dawn fixtures, sometimes referred to as NEMA Type 5, or IESNA Type V.

Maintenance Time and Efficiency

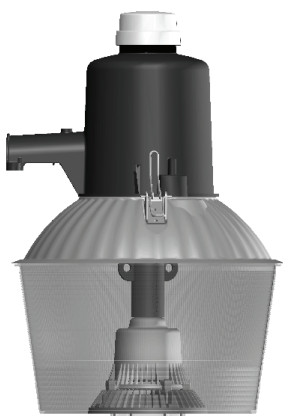
Clearlight replacement lamps require less maintenance than HPS, or MV bulbs; no more replacing the ballast or the starter as neither is required for operation once a Clearlight is installed. Left installed, the ballast continues to run independently. Make your fixture ultra efficient by wiring around the ballast. Ask a sales representative for a payback calculator.

Warranty

5 year parts and labor warranty.



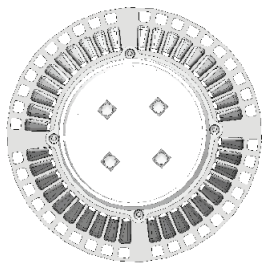
lamp length = 9.10 in. , dia = 5.31 in.



Clearlight LED
Replacement Lamp inside
a NEMA dusk-till-dawn
fixture

Clearlight LED Replacement Lamp: Narrow

Narrow 40W LED Clearlight

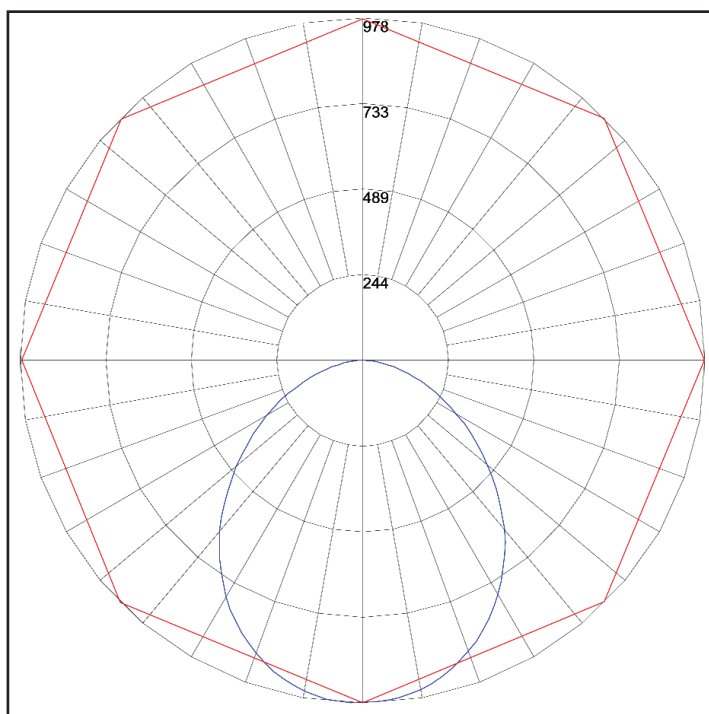
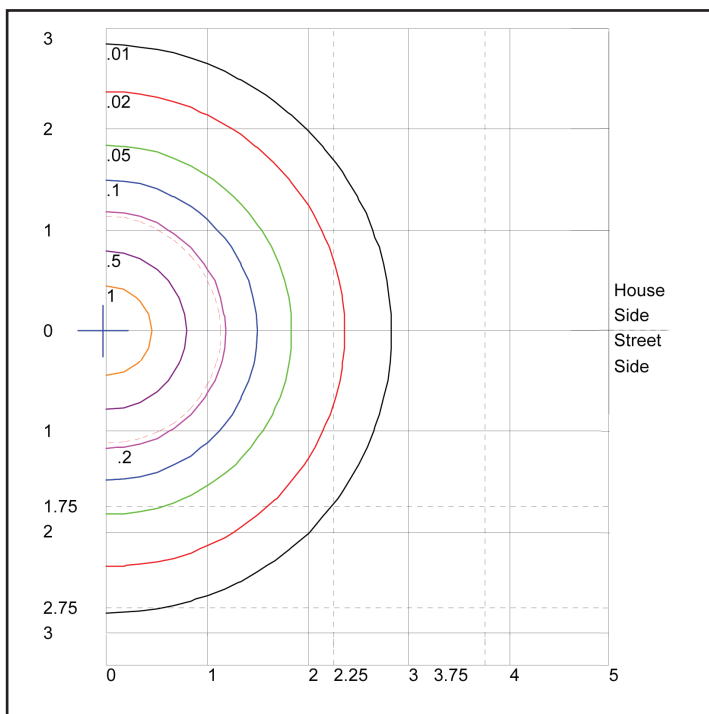


Optic: Narrow

Properties: NEMA Type 5, IESNA Type V, circular light pattern on ground with greater light intensity in the center.

Use: Over doorways or outdoor areas where more light is required directly under the fixture.

Zonal Lumen Summary	
Zone	% Lamp Lumens
0° - 30°	31.4
0° - 60°	83
0° - 90°	100



Narrow Isofoot Candle Plot:

Values Based on 25.25 ft Mounting Height
Peak Vertical Angle: 0

Narrow Polar Candela Distribution:

Plot 1: Vertical plane through horizontal angles
Plot 2: Horizontal cone through vertical plane

Name	PN	Watts	Input Voltage	Efficacy (lpw)	CRI	Target CCT	IES Type	BUG	LM-79	LM-80	Driver	Pf	IP Rating
Narrow	83125148	40W	120-240 AC	>55	74	6000K ± 500	V	B1-U1-G1	Y	Y	650ma	>0.9	65

5 Year Warranty. Lumen Maintenance (L70) at 70,000 hours.

Watts given at typical operating temperature.

Clearlight lamps use CREE LEDs. LM-80 data provided by CREE.

LM-79 Photometric & Electrical Performance verified by OrbOptronix.

In-Situ testing performed by CLTC. Evluma is a member of Quality Advocates.

UL testing in progress at MET Laboratories Inc., 33439 Western Ave. Union City, CA.

Made in the U.S.A. of U.S. and imported parts.



FC Part 15
Class A
UL Pending

GSA Advantage!